

Heinrich-Beck-Institut

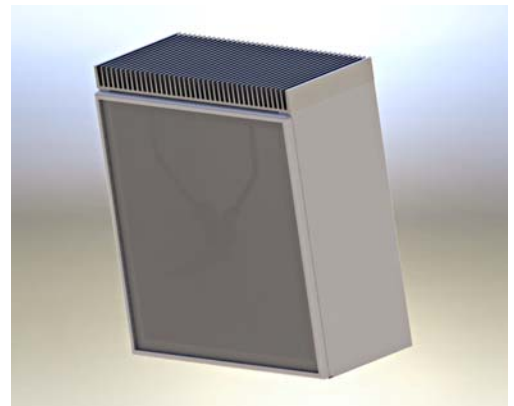
BeckLite Field-Illuminator RP 1190-00A 1



Development: Heinrich-Beck-Institut GmbH, Nachtigallenstr. 13, D-98617 Meiningen, Germany
Web: www.heinrich-beck-institut.de/ * Contact: +49/3693/8119-0 * Mail: request@heinrich-beck-institut.de

Application Area :Airfield-Apron, Parking Lots, Sports Fields

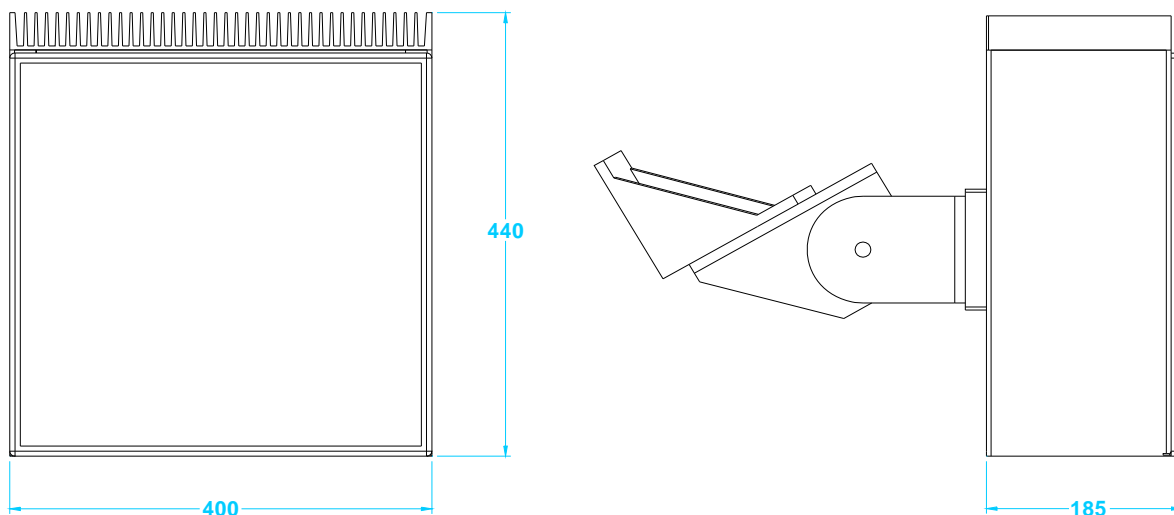
Luminous Flux :15.000 Lumen
Consumption :150 W
Color Temperature :5000K
Beam Angle :14°-15°
Beam Modification by :additional structured disks
Housing :IP67
Measures :450x400x180 [mm]
Weight :15 kg
Mounting :standing or pending
Mounting Elements :standard
Operation Temperature Range : +40°C - -40°C
Colour temperature 5000K
CRI > 65
Illumination, without lens
25 m distance 510 Lux (max)
80 m distance 45 Lux (max)
Full angle of radiation (50%)
without lens 11° (50%)
lens, rip 11°x65° (50%)
lens, crystal 30° (50%)
lens, pearl 25° (50%), 60° (10%)
Input voltage 230 VAC
Operating frequency 50 Hz
Luminaire housing Al, anodized
Type of protection IP 67
Certificate CE*, RoHS**



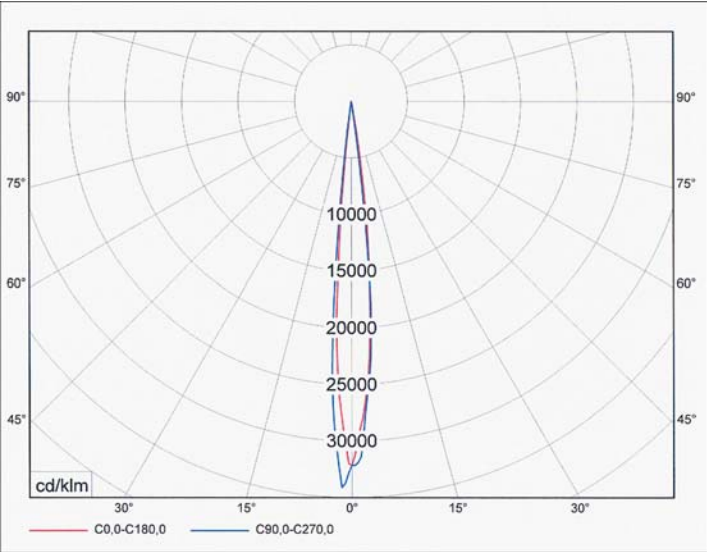
RP 1190-00A 1

** no certification mark but a statement of the manufacturer that the product complies with all official regulations
** signifies that only approved material has been used

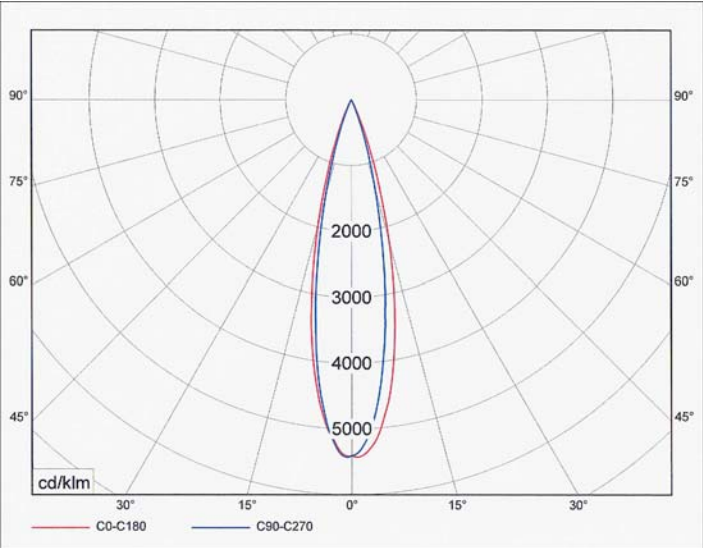
Housing dimensions (cm)



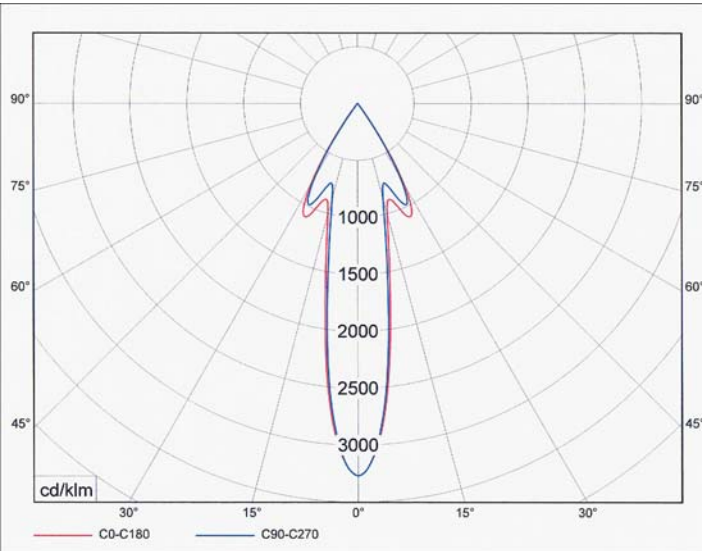
Luminous intensity distribution



Without lens



Lens: Crystal



Lens: Pearl